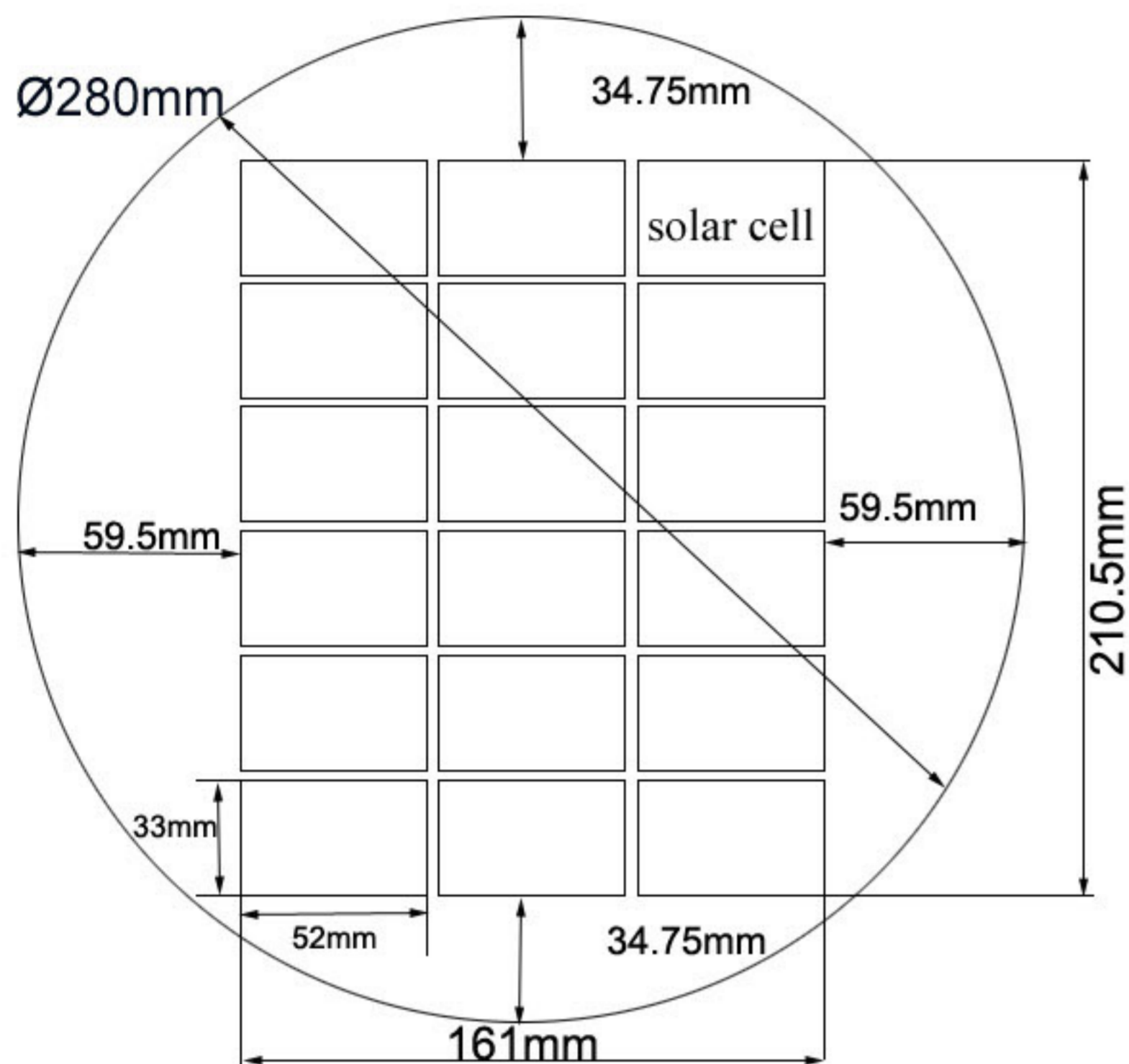
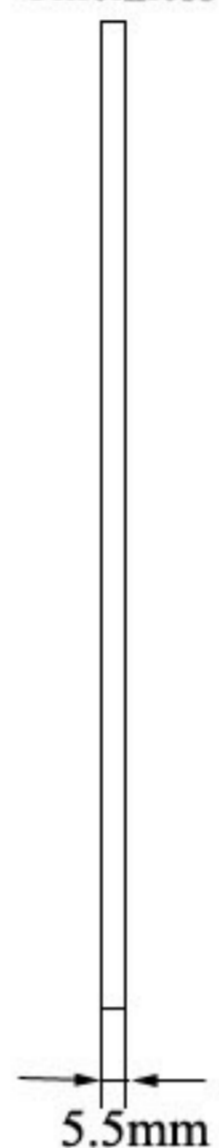


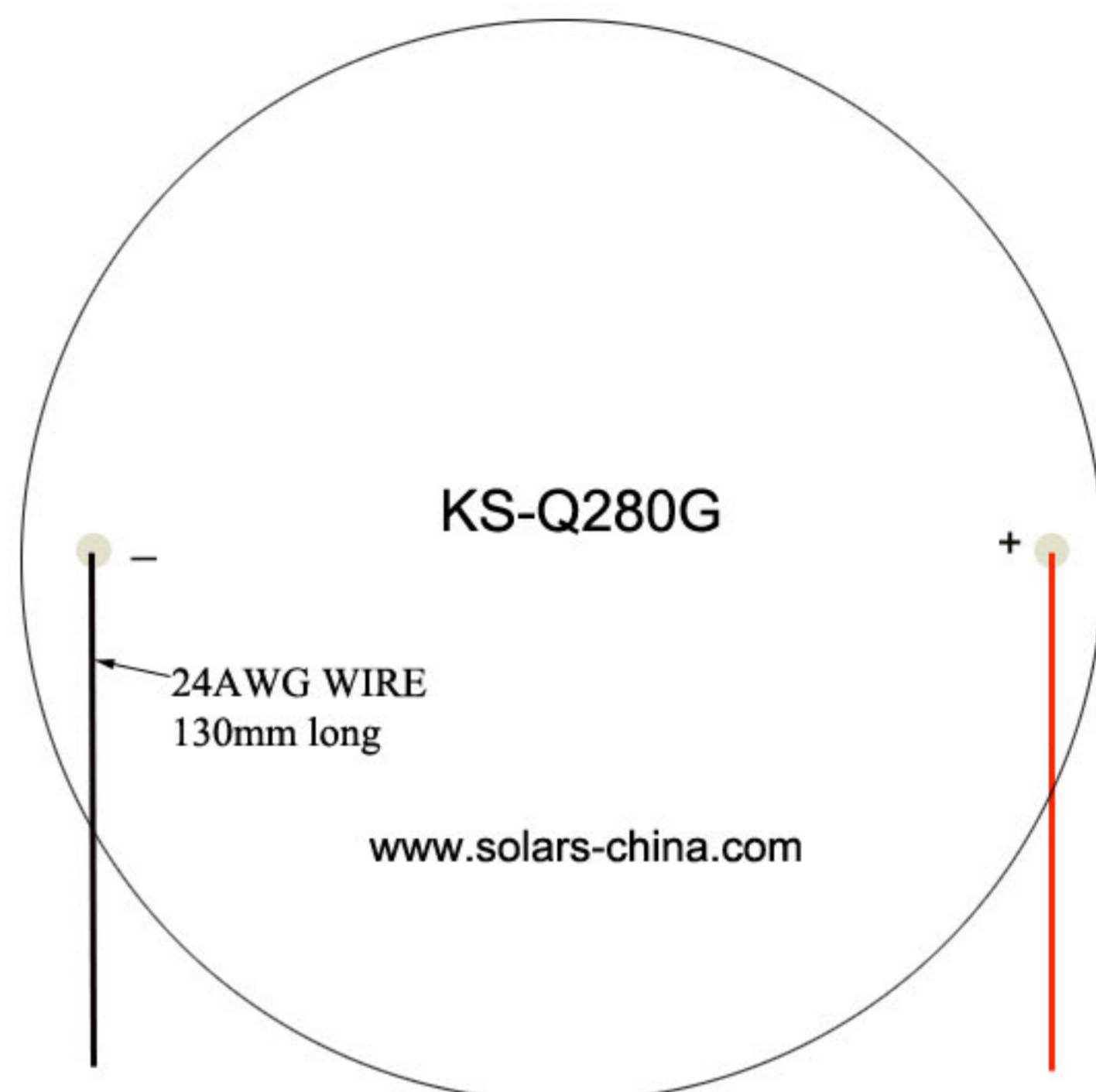
**SMALL SOLAR CELL PANEL**

FRONT VIEW

Thickness



SIDE VIEW



BACK VIEW

ELECTRICAL CHARACTERISTICS

Power	5W
Operating Voltage	9V
Operating Current	556mA
Type of solar cell	Monocrystalline Silicon
Power Tolerance	±5%
STC: Irradiance 1000W/m ² , Module temperature: 25°C, AM=1.5	

TEMPERATURE COEFFICIENTS

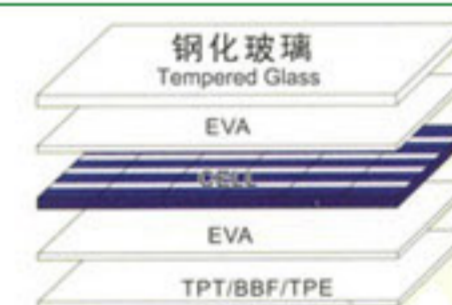
Nominal Operating Cell Temperature (NOCT): 45°C±2°C	
Temp.Coefficient of I _{sc}	(0.045±0.01)%/°C
Temp.Coefficient of V _{oc}	-(0.34±0.01)/°C
Temp.Coefficient of Power	-(0.47±0.05)%/°C

TESTED OPERATING CONDITIONS

Max load	50psf 245kg/m ² (2400)pascals
Hailstone impact	25mm(1inch) at 23m/s(52mph)
Temperature	-40° C to + 85° C
Using Condition: Outdoor under the sunlight without covering	

MECHANICAL SPECIFICATIONS

Dimensions	Ø280mm, thickness: 5.5mm
Encapsulation	Glass/EVA/Cells/EVA/TPT
Front Glass	Tempered Glass, thickness: 3.2mm
Frame	Without Frame
Output lead wire	24AWG Wire, 130mm long, red for "+", black for "-"
Efficiency: ≥16%	Dimensions Tolerance: ±0.2mm

FIGURE OF STRUCTURE**WARRANTIES**

Power output more than 90% for 10 years
Working life 10 years

WARNING

- Cannot touch with anything strong cauterant.
- Avoid scraping by something hard when using.
- Cannot bend on delivery and installation.

The technical files provided by CHINA SOLAR LTD

Office Address:

N0.601, ZhongKang Pioneer Park, ZhongKang Road,
Futian District, ShenZhen City, Guangdong Province, China

Factory Address:

Longxi Hi-tech Industrial Park, Longcheng Road, Longgang
Town, ShenZhen City, Guangdong Province, China



CHINA SOLAR LTD

<http://www.solars-china.com>

<http://www.solars-china.net>

Tel: +86.755.8351 5659

Fax: +86.755.8271 6024

E-mail: market@solars-china.com